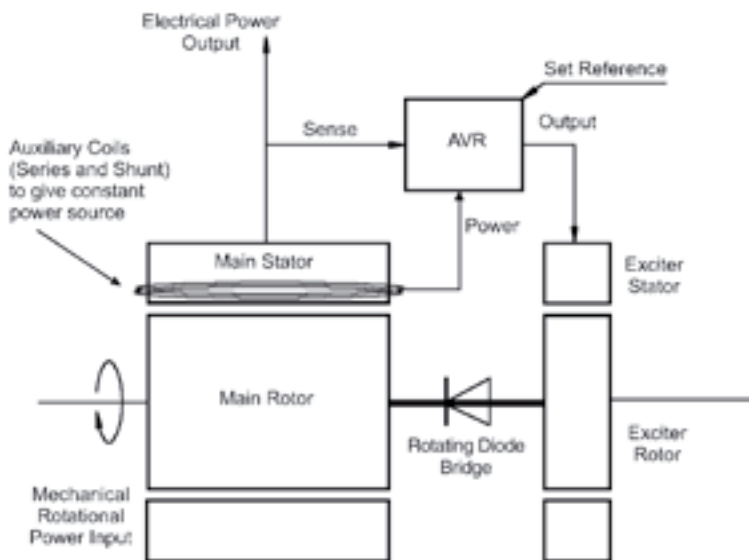


The AREP excitation system improves the voltage response of the alternator during transient load application, such as motor starting. AREP also provides a sustained short-circuit current for the operation of protective devices. This option requires that the standard self-excited alternator is replaced by an alternator that has been fitted with auxiliary AREP coils. These coils provide excitation power to the AVR, giving both shunt and compound (booster) characteristics.



## AR20, 21 AREP Excitation System



## Alternators



**FG Wilson has manufacturing facilities in the following locations:**

**Northern Ireland • Brazil • China • India • USA**

With headquarters in Northern Ireland, FG Wilson operates through a Global Dealer Network. To contact your local Sales Office please visit the FG Wilson website at [www.FGWilson.com](http://www.FGWilson.com)