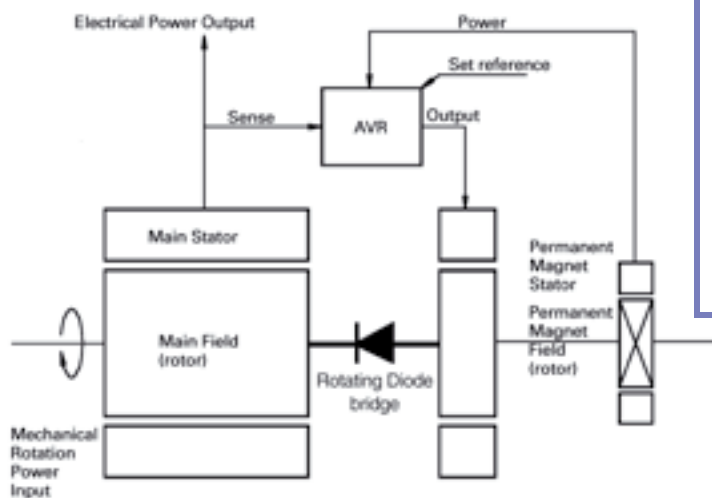
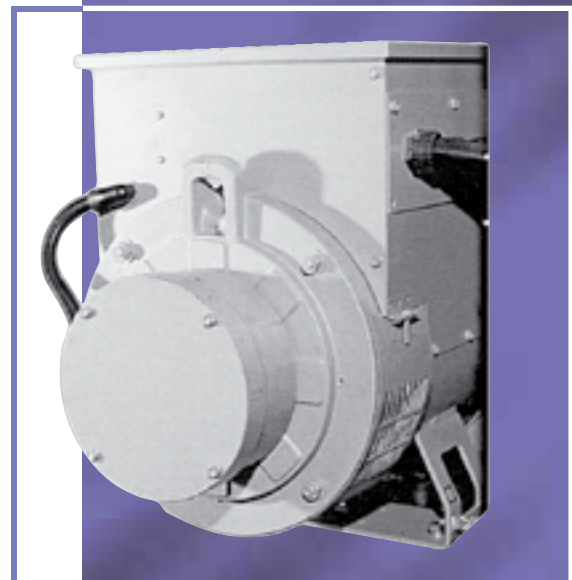


The permanent magnet generator (PMG) option upgrades the excitation system of the alternator from the standard self-excited system to a separately excited system. The PMG couples to the non-drive end of the alternator and provides an independent source of excitation power that ensures initial voltage build-up. The PMG improves the voltage response of the alternator during transient load application, such as motor starting, and provides a sustained short-circuit current for the operation of protective devices. Isolation of the excitation power ensures that regulation is not affected by non-linear distorting loads.



AR18, 19 Permanent Magnetic Generator



SCHEMATIC OF PMG EXCITATION

Alternators



FG Wilson has manufacturing facilities in the following locations:

Northern Ireland • Brazil • China • India • USA

With headquarters in Northern Ireland, FG Wilson operates through a Global Dealer Network. To contact your local Sales Office please visit the FG Wilson website at www.FGWilson.com